



professional solutions
for the world of **beverage**



POWERING YOUR REPUTATION



professional solutions
for the world of **beverage**



CONTENTS

	Intro	04
Series 24, 26, 27, 28	Pressure regulators	08
Series 20	High pressure hoses	24
Series 10, 17, 18	Dispensing taps	30
Series 30, 31 32, 33, 34, 35, 36	Keg couplers	40
Series 40	Giotto fonts	56
Series 41, 42	Water dispense equipment	62
Series 60, 70	Advertising accessories and drip trays	66

Powering



BEVERAGE DIVISION MISSION

Global leader
in the manufacturing
of beverage dispensing
pressure regulators,
empowering the
reputation of those
who work with us

For 78 years we've been creating solutions.

TOF has 3 production units for a total of 10,000 m², constant investment in **advanced technology** equipment, **automation of production processes** and an established **network of partners and suppliers**.

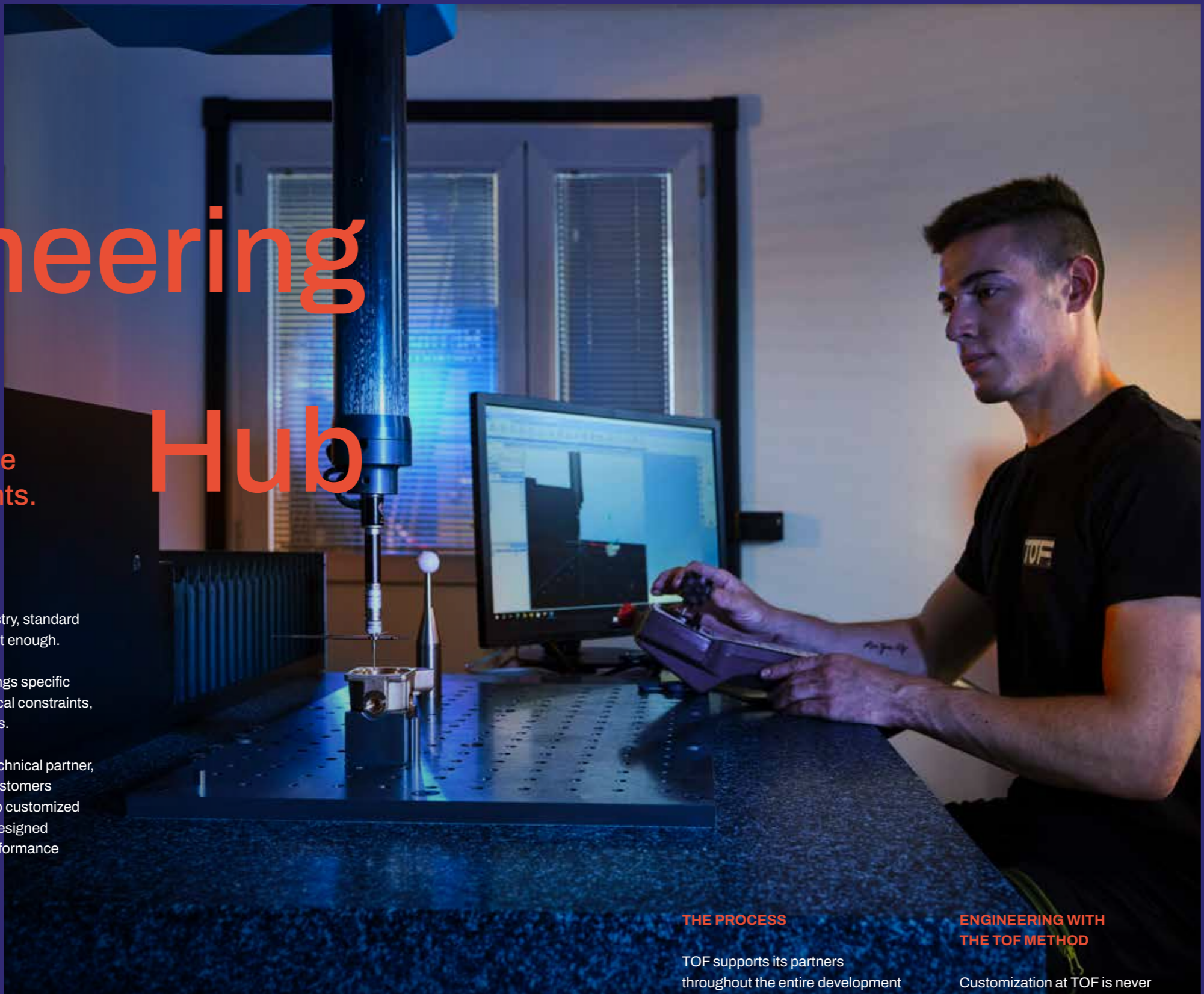
We prefer "**Made in TOF**" instead of "Made in Italy", as our management has always chosen to maintain the production in-house, at our main seat in Italy, without outsourcing to foreign located premises any type of process.

We imagine a future where each of our products is not just an object, but **an act of care, a promise of reliability, and a fragment of Italian excellence** that stands the test of time.

We aim to **inspire trust** and **create value** by building strong relationships, because we believe that true progress is not measured only in numbers, but in the **ability to leave a positive impact on the world we live in**.

your

Reputation.



➤ CUSTOM SOLUTIONS

Engineering Hub

We do not just provide components. We design solutions

In the beverage industry, standard products are often not enough.

Every application brings specific requirements, technical constraints, and high expectations.

TOF operates as a technical partner, working alongside customers and OEMs to develop customized beverage solutions designed to ensure reliable performance over time.

THE PROCESS

TOF supports its partners throughout the entire development process, from the initial concept to the industrial solution.

Through continuous technical dialogue and a structured engineering approach, we help transform needs into robust, scalable, and reliable systems.

Idea → Prototype → Production

ENGINEERING WITH THE TOF METHOD

Customization at TOF is never improvised. Our solutions are based on:

- 1 Structured development processes
- 2 Smart standardization
- 3 Controlled engineering phases

RELIABILITY AND QUALITY

At TOF, engineering always serves a single purpose:

reliability

Every custom solution is designed to protect performance, reduce maintenance interventions, and safeguard the reputation of those who use it.

Series 24, 26, 27, 28

A detailed view of a TOF pressure regulator assembly. The central component is a square-bodied regulator with a red top and blue bottom, featuring a pressure adjustment screw and a label that reads 'TOF', 'L 24-012345', and '3 BAR'. It is connected to various pipes and fittings. Two large gauges are prominently displayed: one on the left with a scale from 0 to 250 psi/bar, and one on top with a scale from 0 to 6 bar. A smaller gauge is visible on the right side of the assembly. The background is a light blue gradient with a large red diagonal shape behind the regulator.

Pressure regulators

TOF pressure regulators are engineered to meet the highest international standards **UNI EN ISO 2503, REACH, MOCA** and are fully tested and certified according to **SK311-014, SK311-015, and UL requirements.**

Every component is **100% Italian-made**, guaranteeing perfect, safe, and consistent beverage dispensing over time.



TOF regulators are designed to preserve the bubbles that define your iconic beverages with stability and no need for refurbishment



HERE, IN THE HEART OF THE REGULATOR, IS WHERE THE MAGIC HAPPENS!

A state-of-the-art unique needle valve produced with automatic assembly line with robot, fully tested one by one, to be leakage and stability proof.

QUALITY CONTROL IS OUR TOP PRIORITY

The use of robotic assembly ensures that our pressure regulators meet industrial-grade precision standards: digital torque control, zero human error, and reliability that remains consistent over time.



Watch the video



Our testing machines are set up with extreme precision, allowing us to detect even the smallest micro-leaks in the range of millibar

CO₂ pressure regulators

24/10PU0B70

CO₂ pressure regulator

For professional applications in the beer, carbonated water and beverage dispensing equipment.
1 free G1/4" outlet, 7 bar safety valve, W21.8mm CH30mm connection



24/101P

CO₂ pressure regulator

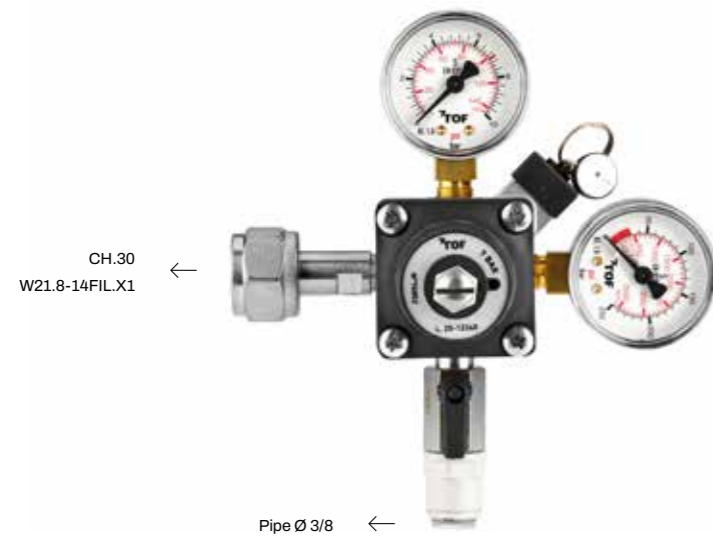
For professional applications in the beer, carbonated water and beverage dispensing equipment.
1 outlet with G3/4" ball valve, 3 bar safety valve, W21.8mm CH 30mm connection



24/10PU30B70

CO₂ pressure regulator

For professional applications in the beer, carbonated water and beverage dispensing equipment.
1 outlet with ball valve and Ø 3/8 quick fitting, 7 bar safety valve, W21.8mm CH30mm connection



24/15PU1B70

CO₂ pressure regulator

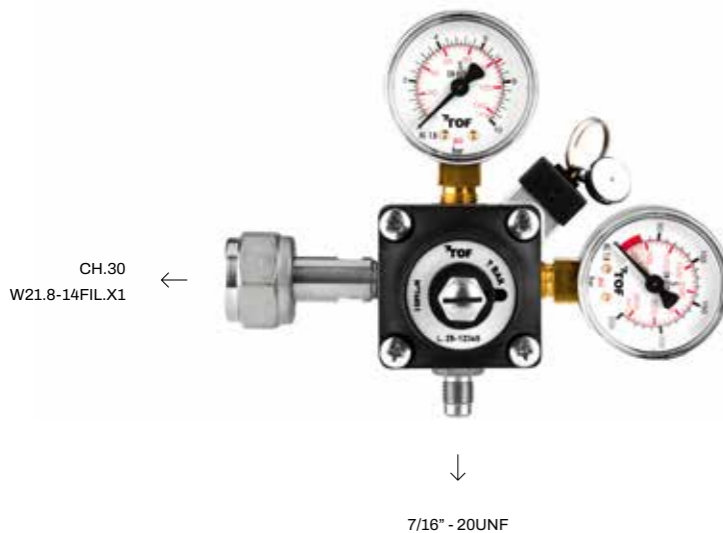
For professional applications in the beer, carbonated water and beverage dispensing equipment.
2 outlets 7/16" - 20 UNF and NRV, 7 bar safety valve, W21.8mm CH 30mm connection



24/10PU1B70

CO₂ pressure regulator

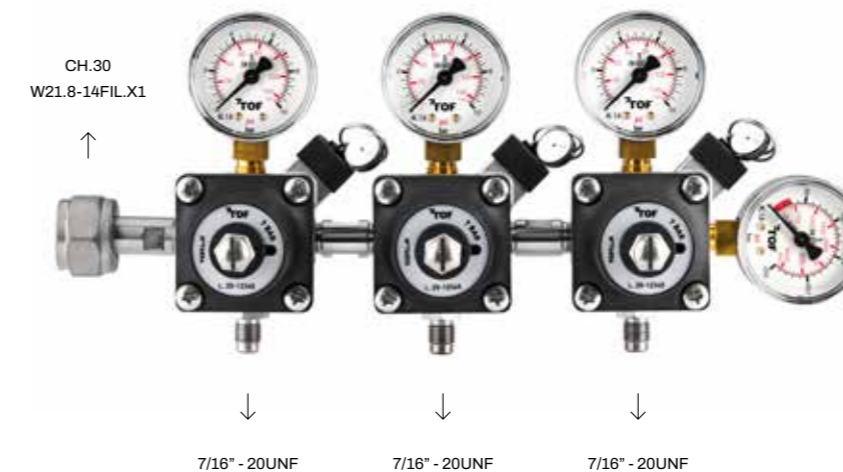
For professional applications in the beer, carbonated water and beverage dispensing equipment.
1 outlet 7/16" - 20 UNF and NRV, 7 bar safety valve, W21.8mm CH 30mm connection



24/20PU1B70

CO₂ pressure regulator

For professional applications in the beer, carbonated water, and beverage dispensing equipment.
3 outlets 7/16" - 20 UNF and NRV, 7 bar safety valve, W21.8mm CH 30mm connection





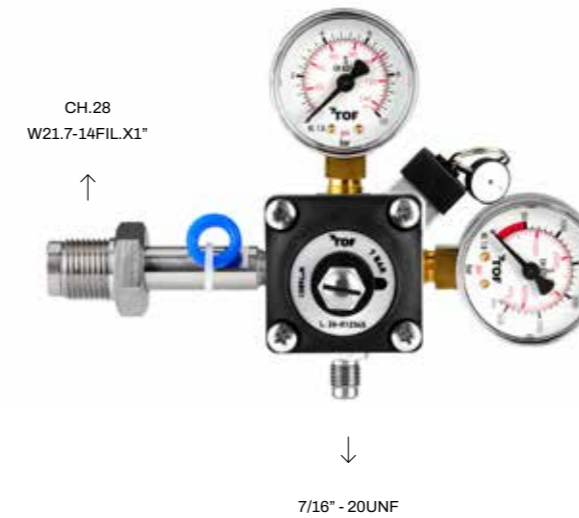
24/415P-CN6T

CO₂ cylinder changeover

For professional post-mix dispensing applications.
7 bar safety valve, intermediate reducer with two outlets Ø 7.3mm, W21.8mm CH 30mm connection



N₂ pressure regulators



24/70PU1B70

N₂ Italy pressure regulator

For professional beer dispensing applications.
1 outlet 7/16 - 20 UNF and NRV, 7 bar safety valve, W21.7mm CH 28mm connection



28S/10P-SK4T

CO₂ pressure regulator

For professional beverage dispensing applications.
Ball valve and 7/16 - 20 UNF and VNR outlet, 7 bar safety valve, W21.8mm connection, wing nut



24/75PU1

N₂ Italy pressure regulator

For professional beer dispensing applications.
2 outlets 7/16 - 20 UNF and VNR, 4 bar safety valve, W21.7mm CH 28mm connection



28/1540PB30F

UK CO₂ pressure regulator

With double removable safety valve, excellent for professional applications in the beer dispensing industry, quick fitting Ø 3/8, 45psi safety valve, high pressure hose L=1050 BS341 connection N° 8



28/1553PB38F

N₂ UK pressure regulator

With double removable safety valve, excellent for professional applications in the beer dispensing industry, quick fitting Ø 3/8, safety valves 55psi, high pressure hose L=1050 BS341 connection N°3 CH28mm, with wall mounting plate



Intermediate CO₂ pressure regulators



24/360PU30F

Intermediate CO₂ pressure regulator

For professional applications in the beer, carbonated water, and beverage dispensing.
Quick-connect Ø 3/8" ball valve, Ø 3/8" side connections, and wall mounting plate



24/352P

Intermediate CO₂ pressure regulator

For professional applications in the beer, carbonated water, and beverage dispensing.
1 outlet G1/2" with ball valve, G5/8" side connections, and wall mounting plate



XS and S CO₂ pressure regulators



27/110U0B70

XS CO₂ pressure regulator

Particularly suitable for domestic water carbonation systems.
1 free G1/8" outlet, 7 bar safety valve, W21.8 mm CH 30mm connection



27/210U0B70

XS CO₂ pressure regulator

Particularly suitable for domestic water carbonation systems.
1 free G1/8" outlet, 7 bar safety valve, W21.8mm CH 30mm connection



27/260U0B70

XS CO₂ pressure regulator

Particularly suitable for domestic water carbonation systems for disposable cylinders.
1 free G1/8" outlet, 7 bar safety valve, M11X1 side connection





Ø 22.8-6 ACME-6G

27/410U0B70

XS CO₂ pressure regulator

Particularly suitable for domestic water carbonation systems for ACME cylinders.

1 free G1/8" outlet, 7 bar safety valve, ACME connection, the gasket is replaceable



CH.28
W21.8-14FIL.X1"



G1/8"

26/210U0

S CO₂ pressure regulator

Particularly suitable for domestic water carbonation systems for refillable cylinders.

1 free outlet G1/8", safety valve 5.5 bar, W21.8mm CH 28 mm connection



Series 20



High pressure hoses

In professional dispensing systems, safety and beverage quality also depend on what you don't see. That's why TOF uses high-pressure hoses designed to **ensure maximum reliability, food compatibility, and long-term stability.**

The hoses used in our systems comply with major EU and US food-contact regulations and are engineered to withstand high pressure, humidity, temperature changes, and demanding environments. A technical choice that protects product quality, operator safety, and ultimately your reputation.

CO₂

CH.24
21,7W-14FIL.X1"

CH.30
21,8W-14FIL.X1"

CH.24
21,7W-14FIL.X1"

CH.30
21,8W-14FIL.X1"

CH.24
21,7W-14FIL.X1"

CH.30
21,8W-14FIL.X1"



20/360

20/320

20/362

CO₂ high pressure hose

CO₂ high pressure hose

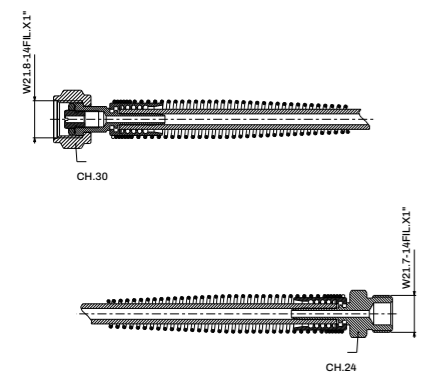
CO₂ high pressure hose

L = 1050 mm

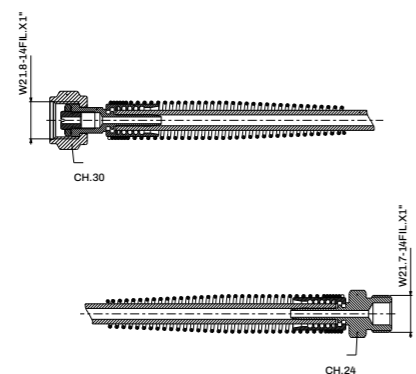
L = 1200 mm

L = 1500 mm

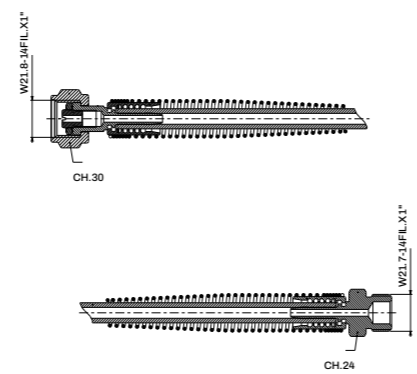
Measures



Measures



Measures



CH.24
21,7W-14FIL.X1"

CH.24
21,8W-14FIL.X1"

CH.30
21,8W-14FIL.X1"

CH.24
21,7W-14FIL.X1"



20/383

20/363

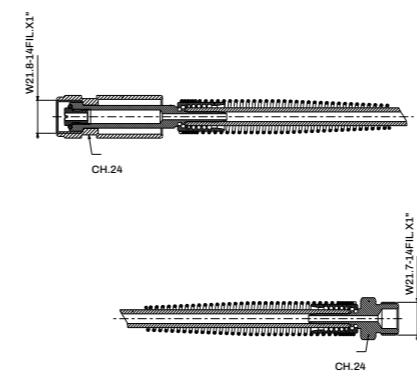
CO₂ high pressure hose

CO₂ high pressure hose

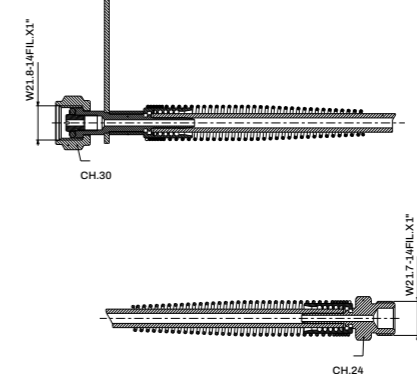
L = 1050 mm knurled nut

L = 2000 mm with lever

Measures



Measures



BEST SELLER



BEST SELLER



N₂

CH.28
21,7W-14FIL.X1"

CH.28
21,8W-14FIL.X1"

CH.32
24,22W-14FIL.X1"

CH.32
24,32W-14FIL.X1"

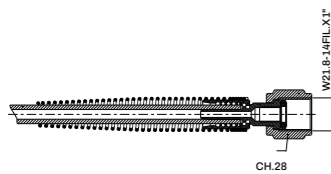
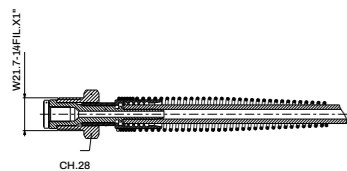


20/450

Italy N₂ high pressure hose

L = 1050 mm

Measures

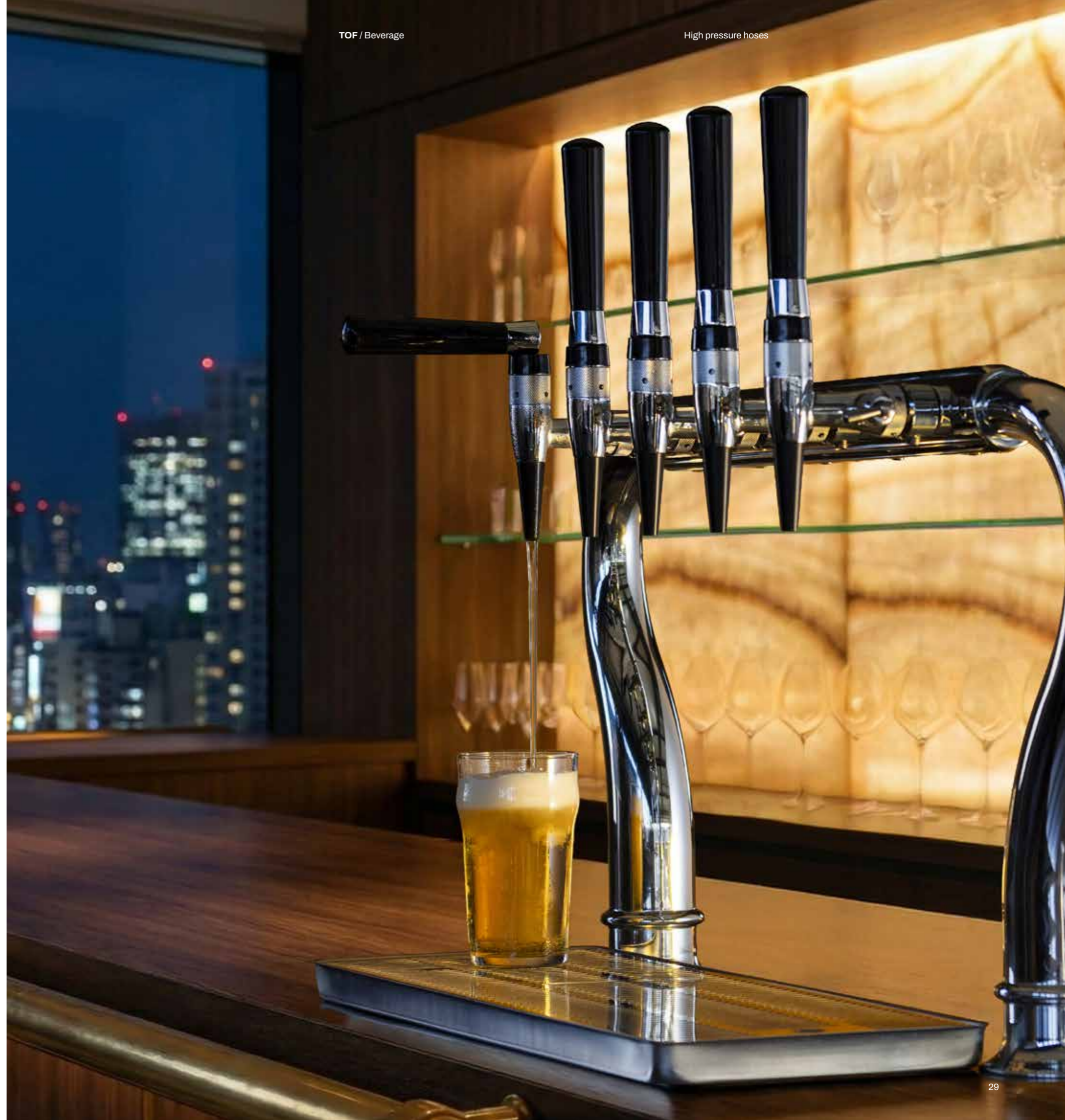
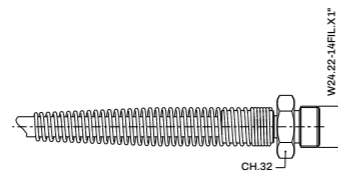
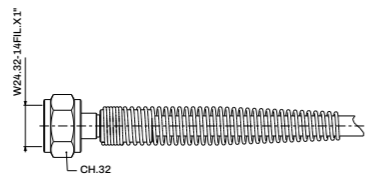


20/432

European N₂ high pressure hose

L = 1500 mm

Measures



Series 10, 17, 18

Dispensing taps



Designed to perform. Finished to last.

We continuously improve our taps by combining **flow optimization** with **advanced surface treatments**. Each component is engineered to reduce friction, limit turbulence, and maintain carbonation while finishes are developed to resist corrosion, cleaning agents, and daily handling in professional environments.



The high quality and functional features of TOF dispensing taps have long been recognised internationally

Beer taps

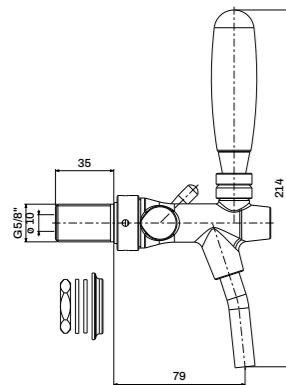


10/30M3

Beer tap

With compensator, shank thread G5/8 x 35 mm x Ø 10 mm, stainless steel spout Ø 10 mm hole, chromed brass

Measures



Viking beer tap

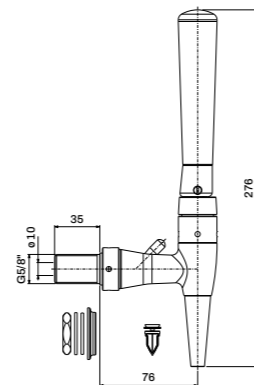


18/30

Viking beer tap

With compensator with shank thread G5/8 x 35 mm x Ø 10 mm, black delrin spout, 3/8W knob, chromed brass

Measures



Sparkler tap

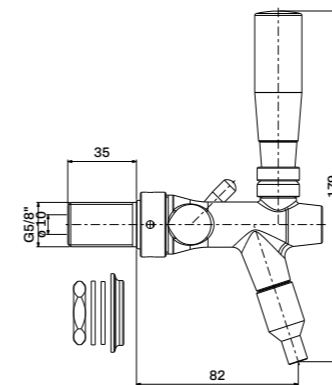


10/12M1

Sparkler tap

With compensator, excellent for stout beer dispensing, shank thread G5/8 x 35 mm x Ø 10 mm, chromed brass

Measures



Stainless steel beer taps

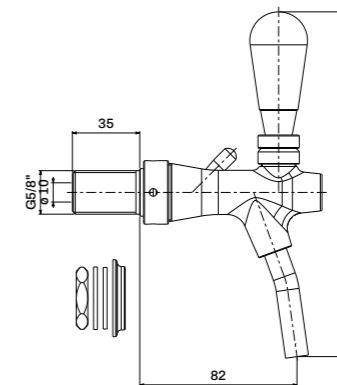


10X/30

Stainless steel beer tap

With compensator, shank thread G5/8 x 35 mm x Ø 10 mm, stainless steel spout, stainless steel AISI 304 body

Measures

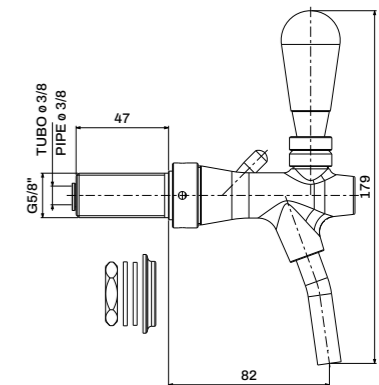


10X/73

Stainless steel beer tap

With compensator, shank thread G5/8 x 47 mm x Ø 3/8, stainless steel spout, stainless steel AISI 304 body

Measures



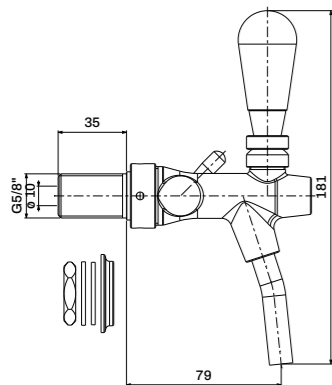
Water taps

**10/13**

Water tap

With compensator, shank thread
G5/8 x 35 mm x Ø 10 mm, stainless
steel spout, chromed brass

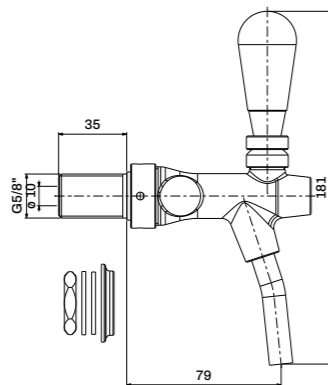
Measures

**10/133**

Water tap

Without compensator, shank thread
G5/8 x 35 mm x Ø 10 mm, stainless
steel spout, chromed brass

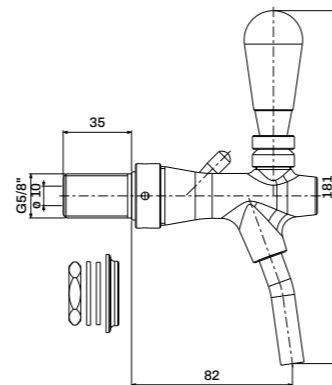
Measures

**10/34-CW**

Water tap

With compensator, shank thread
G5/8 x 35 mm x Ø 10 mm, stainless
steel spout, chromed brass, low lead
brass CW510L

Measures



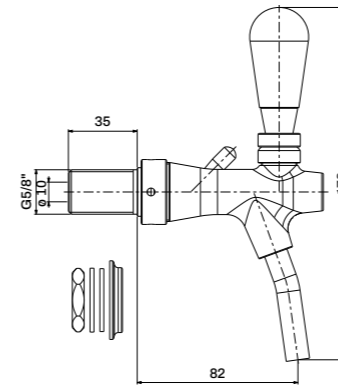
Free-flow dispensing taps

**10X/30CG**

Stainless steel water tap

With guided compensator, shank
thread G5/8 x 35 mm x Ø 10 mm,
stainless steel spout, stainless steel
AISI 304 body

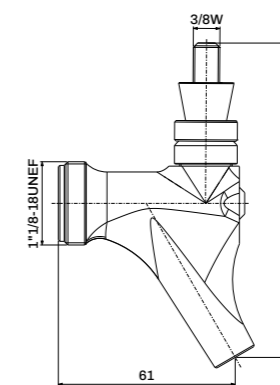
Measures

**17X/775M0**

Stainless steel tap

With integrated spout

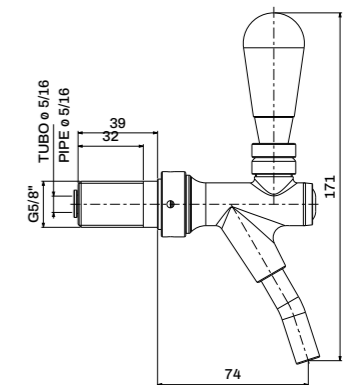
Measures

**17X/250F5**

Small stainless steel tap

Without compensator, shank thread
G5/8 x 39 mm, quick connection
Ø 5/16, stainless steel spout, Ø 8 mm
hole, brand label seat

Measures



Soft drinks tap

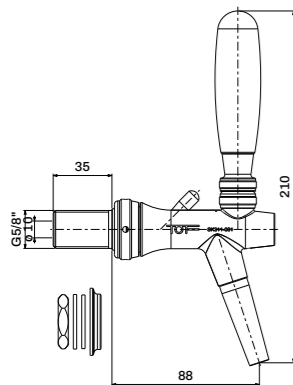


10P/30

Soft drinks tap

EVO-K tap with compensator for wine and soft drinks, shank thread G5/8 x 35 mm x Ø 10 mm, stainless steel spout

Measures



Series
30, 31, 32
33, 34, 35
36



Keg couplers

Every TOF keg coupler is **engineered for intensive use**, combining advanced manufacturing processes with high-quality, food-grade materials.

The corrosion-resistant coated body and the AISI 304 stainless steel probe are **designed to protect beer integrity over time**.

Each individual coupler is functionally tested, ensuring consistent performance, long-term reliability and robustness.

S system

Type S keg coupler



30/25GOM9

Threads 5/8" - 5/8"

30/10GOM9

Threads G1/2" - G1/2"

Stainless steel type S keg coupler



30/25XGOM9

Threads 5/8" - 5/8"

30/10XGOM9

Threads G1/2" - G1/2"

Extractor



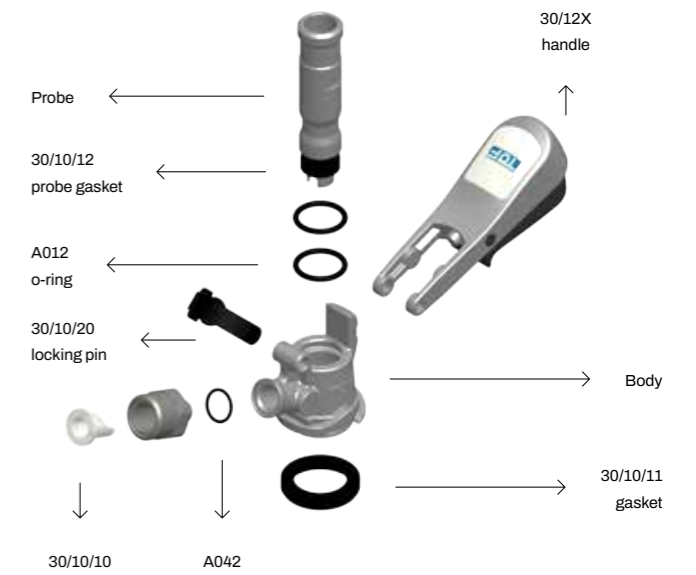
Components



Extractor



Components



D system

Type S keg coupler

Type D keg couple



30/85M9

With double non-return valve 3/4" - 5/8"

30/86M9

Threads G3/4" - G5/8" 90°



31/45G0M9

Threads 5/8" - 5/8"

31/30G0M9

Threads G1/2" - G1/2"

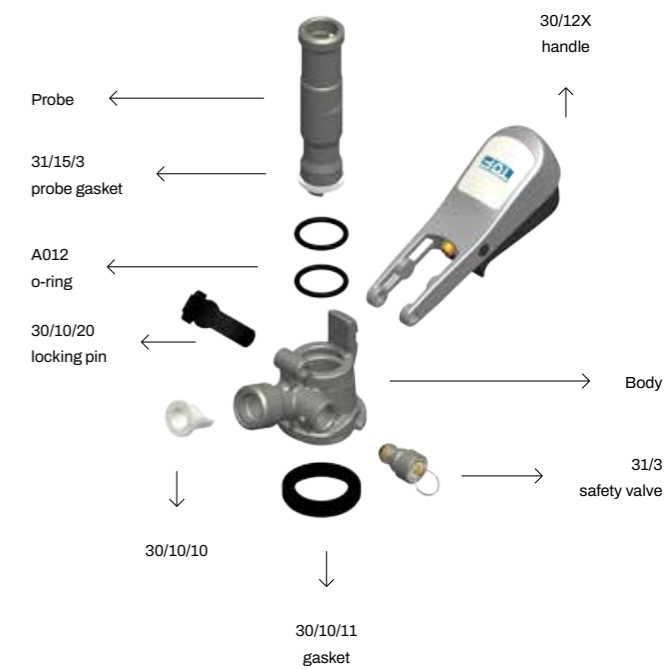
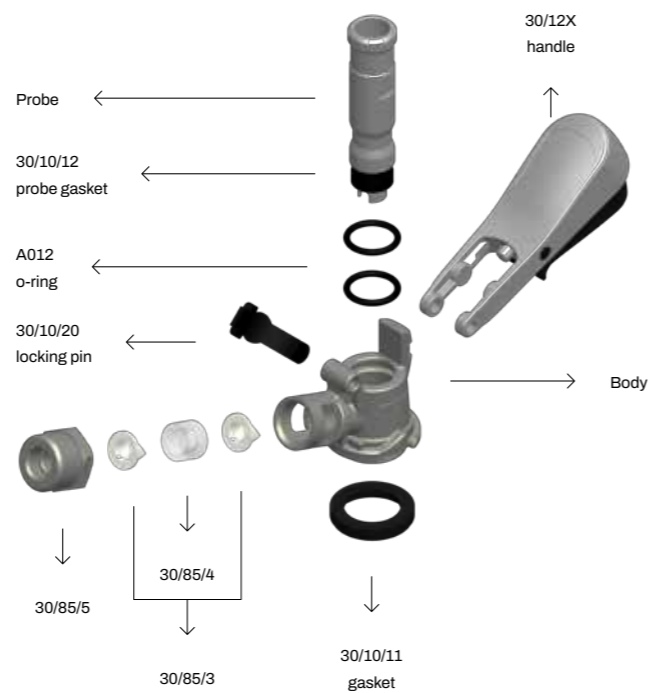
Extractor

Optional

Components

Extractor

Components



D system Köpi

Type D Köpi keg couple

31/85M9-ZE1

Threads 3/4" - 5/8"

31/86M9-ZE1

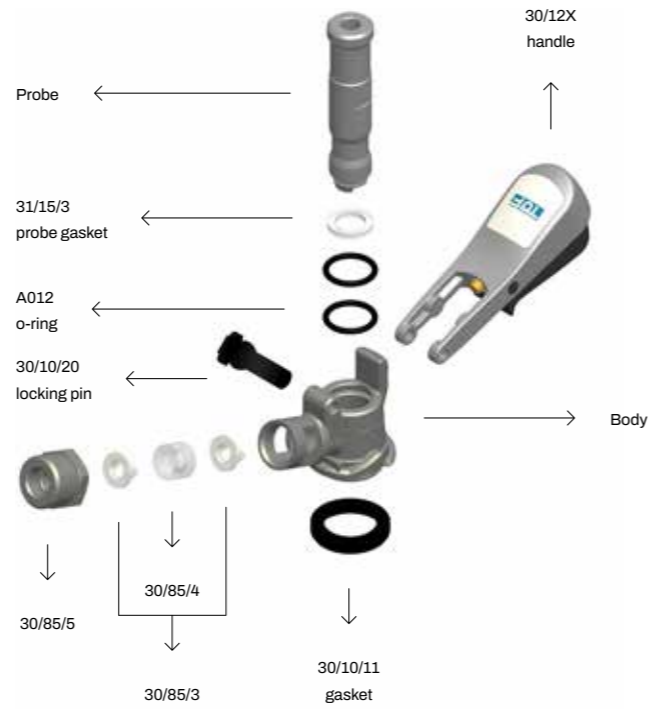
Threads G3/4" - G5/8" 90°



Extractor



Components



A system

Type A keg couple

32/25G0M9

Threads 5/8" - 5/8"

32/10G0M9

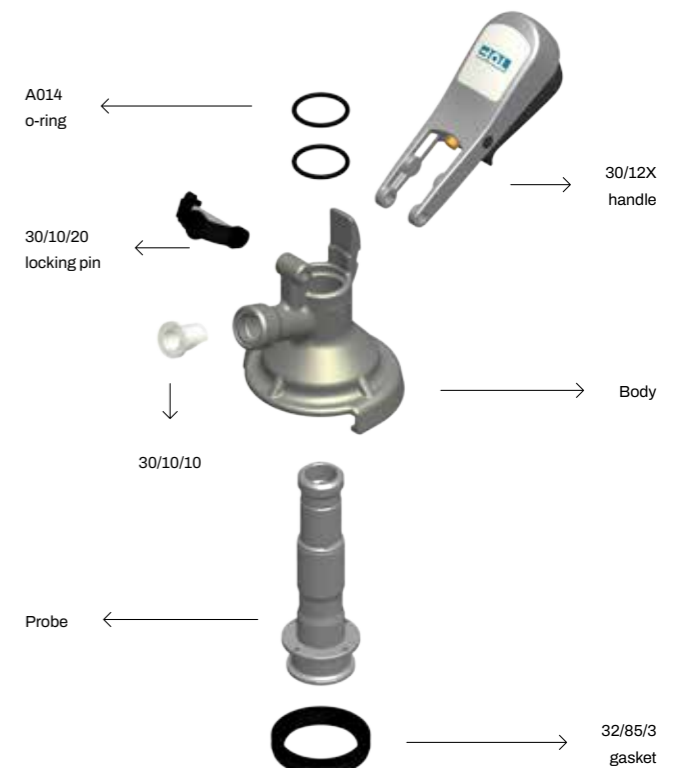
Threads G1/2" - G1/2"



Extractor



Components





Type A keg couple

32/525G0M9

High performance seal 5/8" - 5/8"

32/510G0M9

Threads G1/2" - G1/2"



Type A keg couple

32/85M9

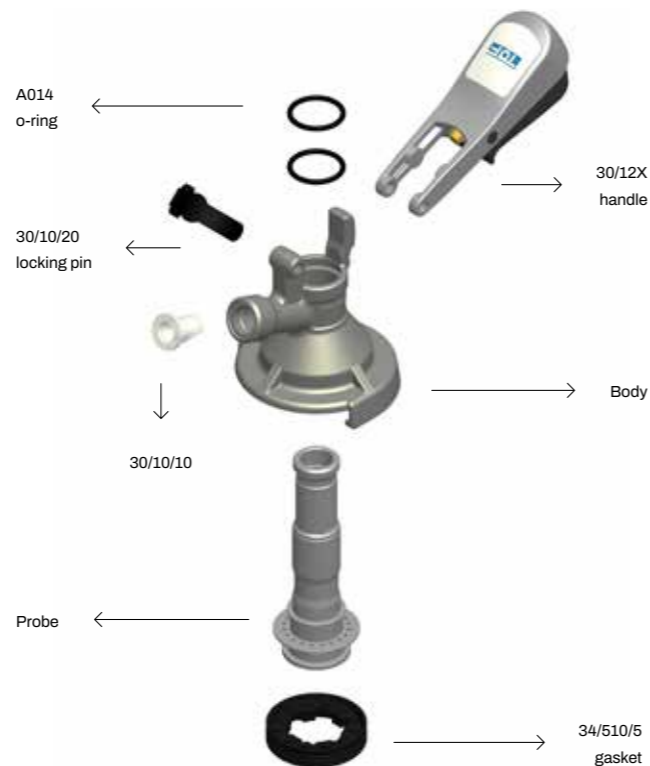
With double non-return valve 3/4" - 5/8"

32/86M9

Threads G3/4" - G5/8" 90°

Extractor

Components

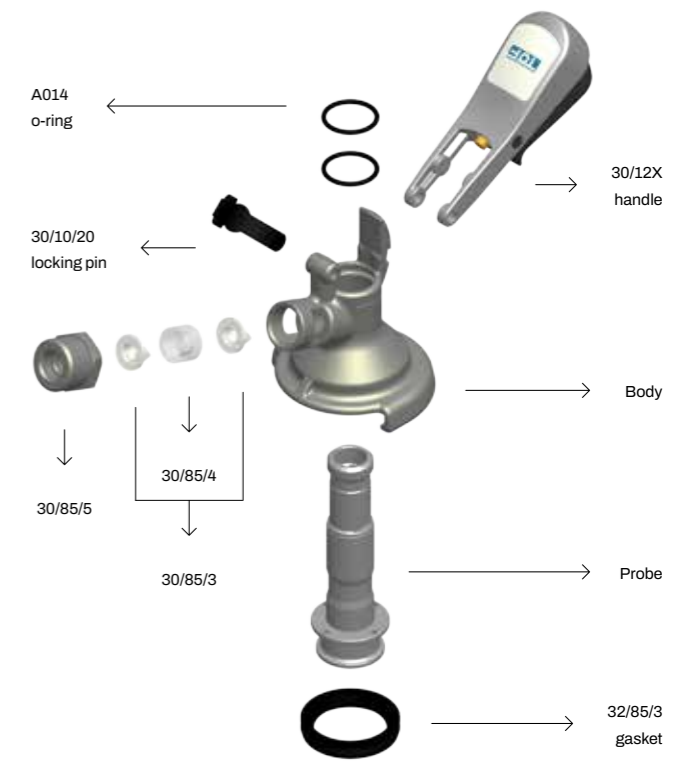


Extractor

Optional



Components



M system



Type M keg couple

33/25G0M9

5/8" - 5/8"

33/10G0M9

Threads G1/2" - G1/2"



Type M keg couple

33/85M9

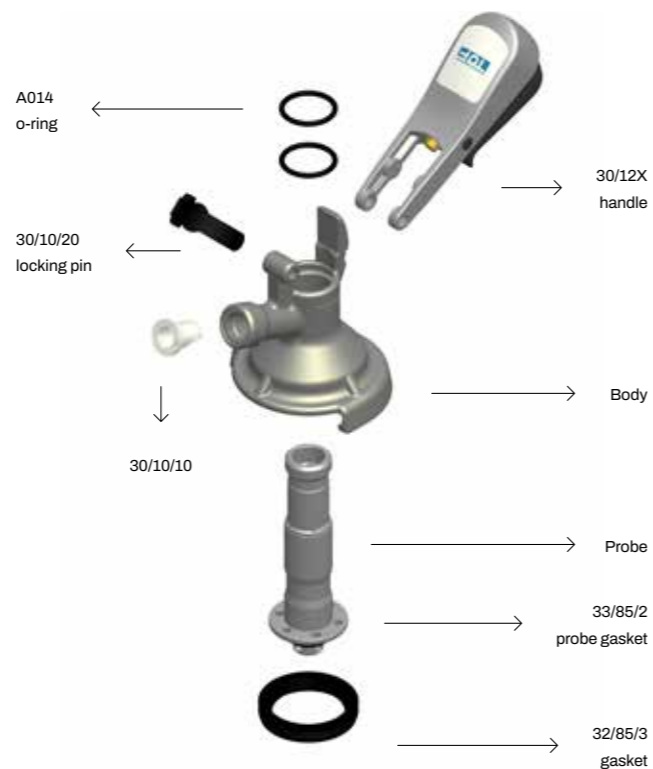
With double non-return valve 3/4" - 5/8"

33/86M9

Threads G3/4" - G5/8" 90°

Extractor

Components

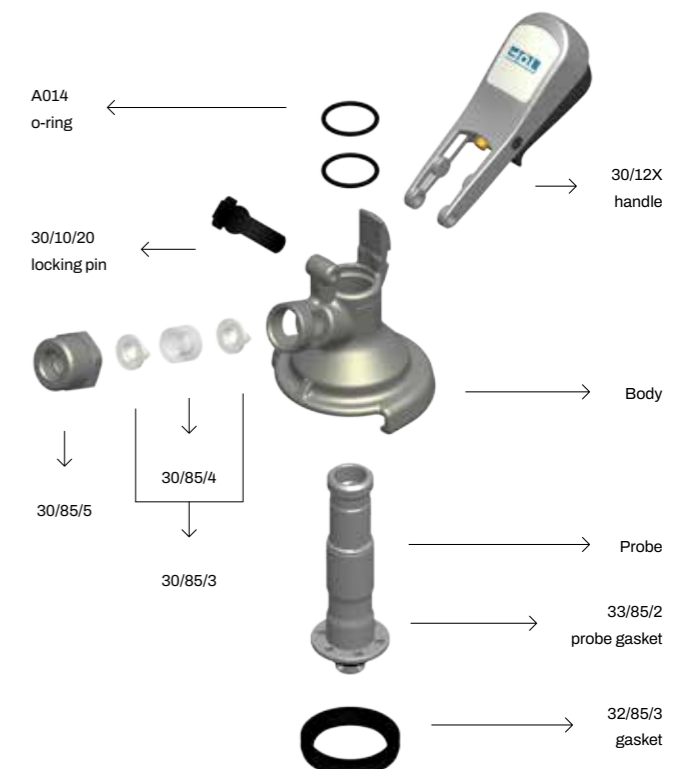


Extractor

Optional



Components



G system

Type G keg couple



34/525G0M9

Threads 5/8" - 5/8"

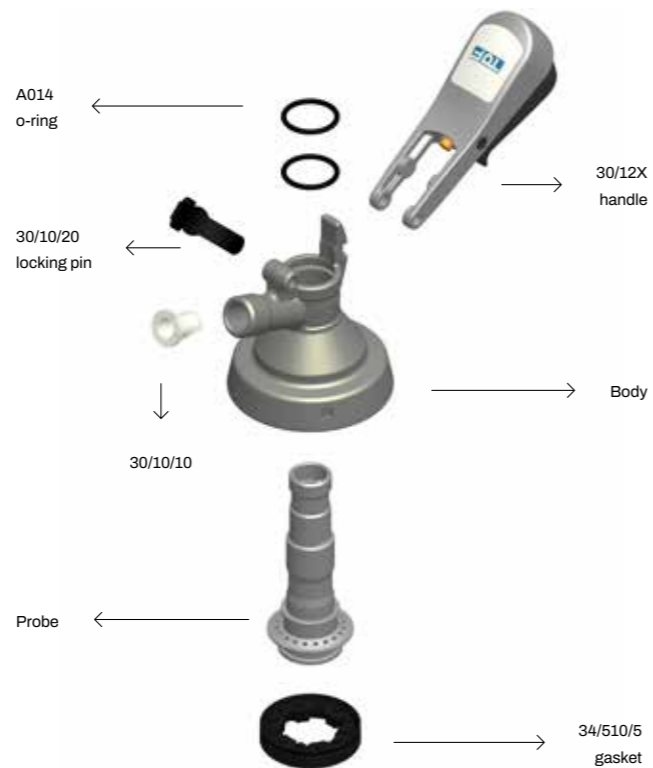
34/510G0M9

Threads G1/2" - G1/2"

Extractor



Components



U system

Type U keg couple



35/25G0M9

Threads 5/8" - 5/8"

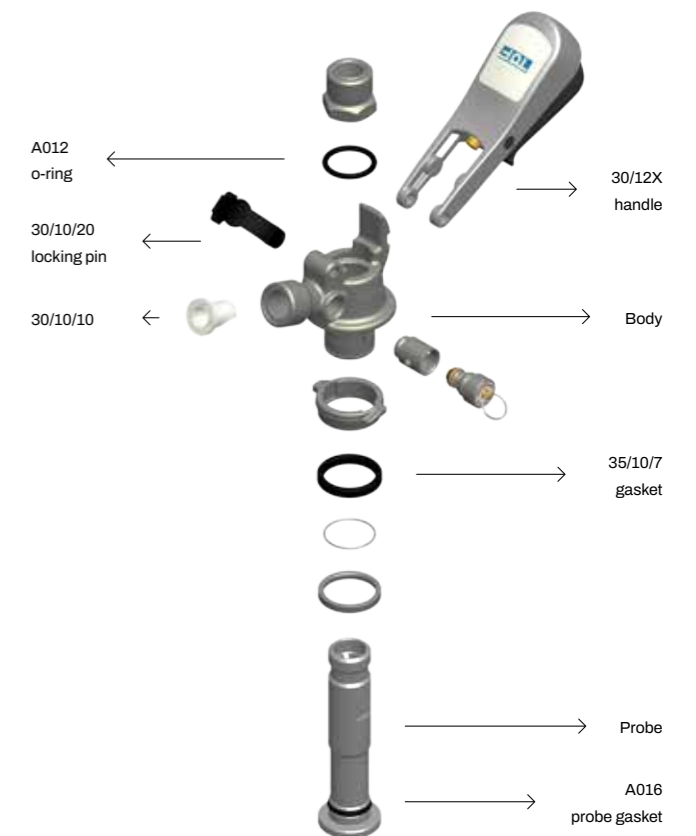
35/10G0M9

Threads G1/2" - G1/2"

Extractor



Components



KK system



Type KK keg couple

36/110G0M9

1/2" - 1/2"

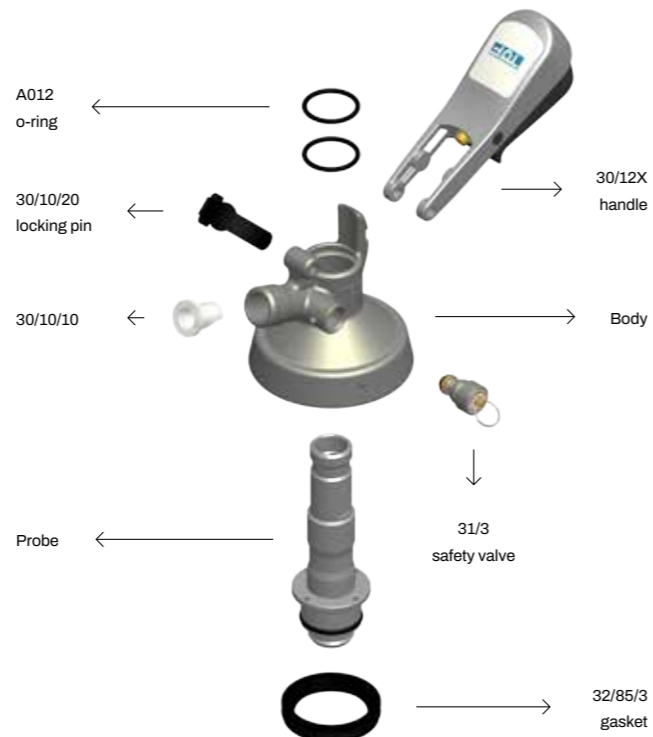
36/125G0M9

Threads G5/8" - G5/8"

Extractor



Components



Cleaning sockets



30/910



Type S cleaning socket



31/910



Type D cleaning socket



32/910



Type A cleaning socket



33/910



Type M cleaning socket



34/910



Type G cleaning socket



35/910



Type U cleaning socket



36/910



Type KK cleaning socket



Series 40



Giotto fonts



CUSTOMIZE YOUR BEER FONT



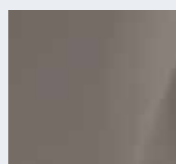
Chrome



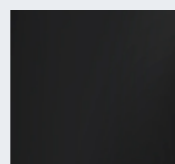
Gold



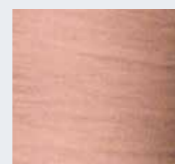
Rose gold



Black chrome



Matt black



Brushed copper

Whatever the aesthetic solution you want for your beer fonts, TOF can supply it. And if you want special effects such as lighting or different finishes, we can meet your needs. Special coloured RAL finishings are available.

Classic, minimalist lines characterise our Giotto beer towers, which have been reflecting the needs and tastes of our customers for over 70 years.

Entirely designed and produced in our factories where we carefully follow the manufacturing phase and the polishing phase which allows us to maintain **very high quality standards**.

This product range also stands out for the undisputed quality of its raw materials, the richness and care of its finishes, and its attention to the needs of each individual customer.

Giotto



40/575-CR

40/600-CR

40/625-CR

40/627-CR

Giotto tower 1 way

Giotto tower 2 ways

Giotto tower 3 ways

Giotto tower 4 ways

With Ø 8 mm stainless steel beer and recirculation pipes, chrome

With Ø 8 mm stainless steel beer and recirculation pipes, chrome

With Ø 8 mm stainless steel beer and recirculation pipes, chrome

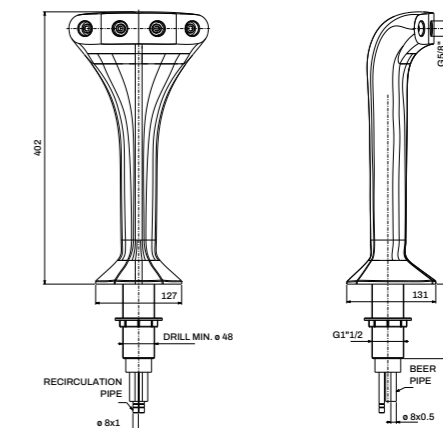
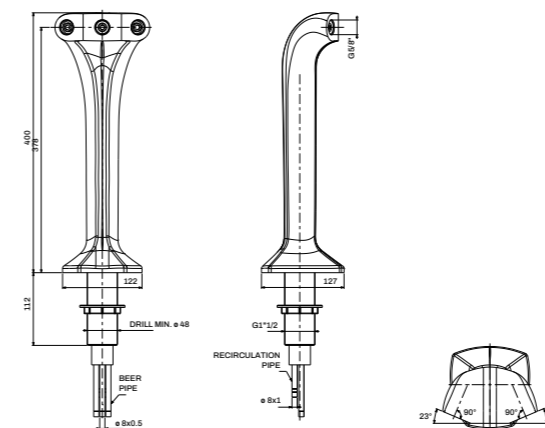
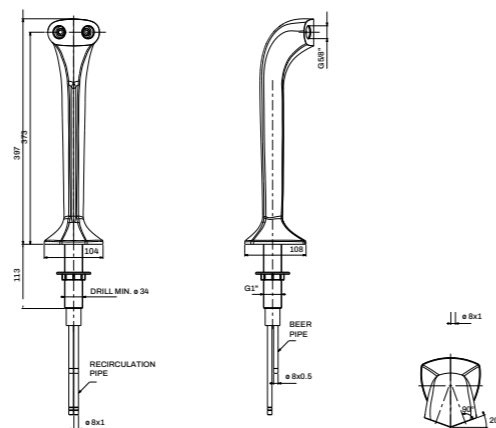
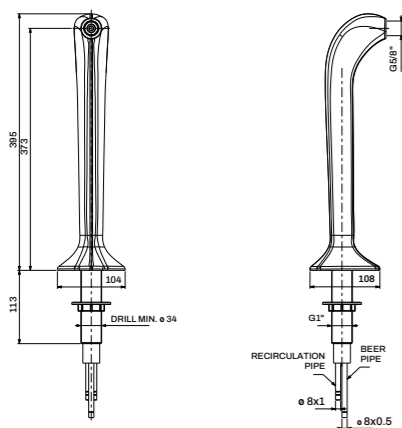
With Ø 8 mm stainless steel beer and recirculation pipes, chrome

Measures

Measures

Measures

Measures



Giotto Led



40/575L8-CR

40/600L8-CR

40/625L8-CR

40/627L8-CR

Giotto tower 1 way

Giotto tower 2 ways

Giotto tower 3 ways

Giotto tower 4 ways

With Ø 8 mm stainless steel beer and recirculation pipe with LED light support, chrome

With Ø 8 mm stainless steel beer and recirculation pipe with LED light support, chrome

With Ø 8 mm stainless steel beer and recirculation pipe with LED light support, chrome

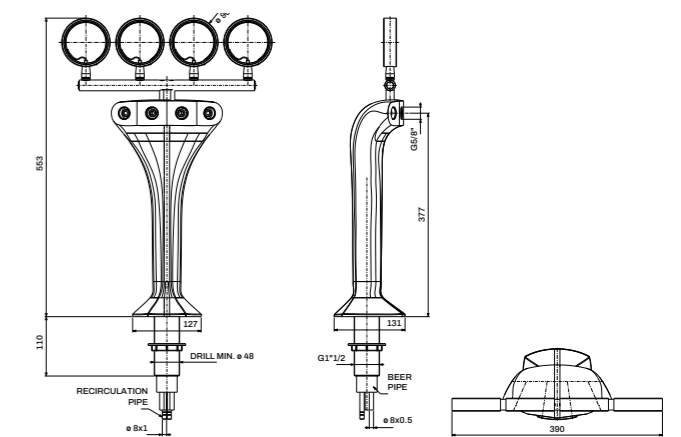
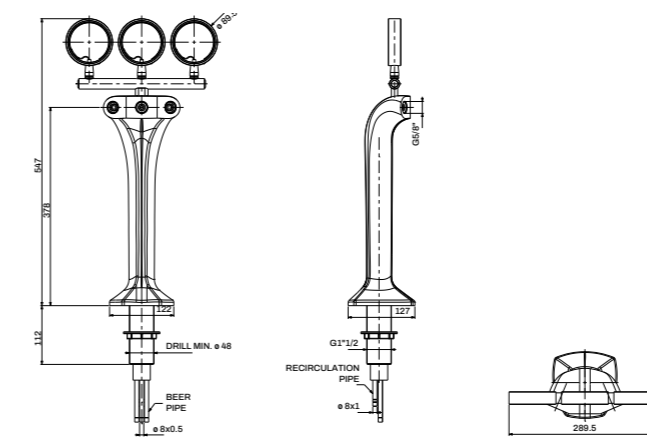
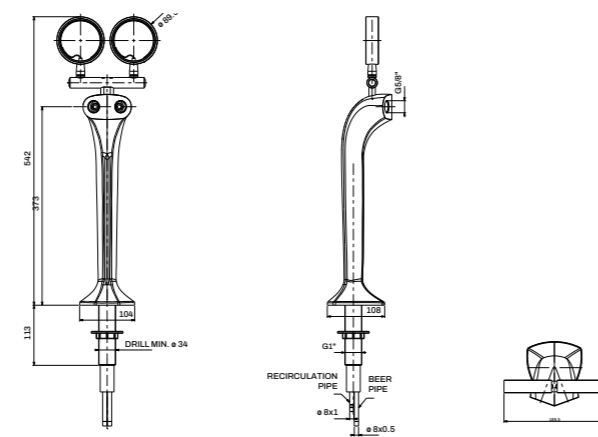
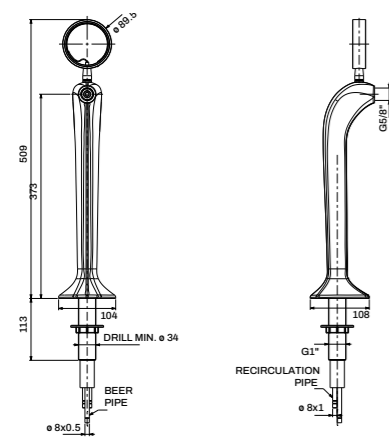
With Ø 8 mm stainless steel beer and recirculation pipe with LED light support, chrome

Measures

Measures

Measures

Measures



Series 41, 42



Water dispense equipment

A comprehensive range of **carbonators** – a key component for achieving the perfect level of carbonation in water – complemented by the **Xenia dispensing font**, a true gem in which functionality and design come together in perfect harmony.

Xenia

**41/20**

Xenia water tower

With 3 push-buttons, chrome

CO₂ carbonator bowls**42/161**CO₂ carbonator bowl

Ø 89 mm, lateral fixing, capacity = 1 L

**42/61**CO₂ carbonator bowlØ 89 mm, L = 228 mm, 2 NRV CO₂ J.Guest Ø 6,
2 NRV H₂O J.Guest Ø 6, soda J.Guest Ø 6, capacity = 1 L**42/63**CO₂ carbonator bowlØ 89, L = 228 mm, 2 NRV CO₂, 2 NRV H₂O, soda,
Ø 8 tube, capacity = 1 L**41/30**

Xenia water tower

With 3 levers, chrome

**42/53**CO₂ carbonator bowlØ 89 mm, L = 120 mm, 2NRV CO₂, 2NRV H₂O,
probe L = 105 mm, soda outlet Ø 8 mm, capacity = 0,47 L**42/21**CO₂ carbonator bowlØ 89 mm, L = 228 mm, 7/16", 20UNF, 1NRV CO₂,
1 NRV H₂O, capacity= 0,7 L**42/211**CO₂ carbonator bowlØ 101.6, L = 353 mm, 1 CO₂ inlet 7/16", 20UNF NRV, 2 H₂O
inlets 7/16", 20UNF hole Ø 1.2 NRV, 2 soda outlets 7/16",
20UNF, capacity = 1.85 L

Series 60, 70

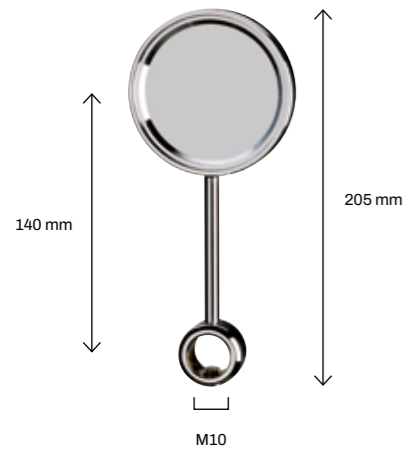


Advertising accessories and drip trays

It is often the small details that make the difference. At TOF, we know this well.

That is why we offer a **wide range of accessories and furnishings** that allow you to personalise your space, adding that extra touch of style that will set you apart.

Advertising accessories

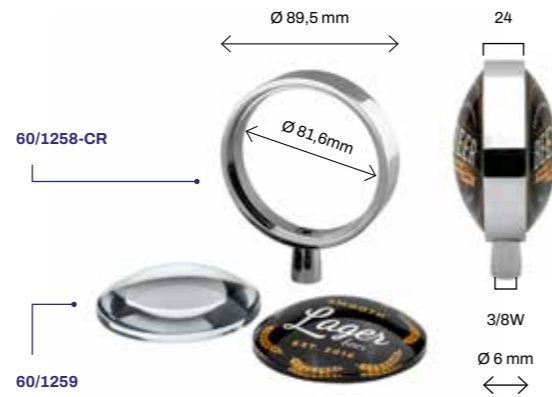


60/867-CR



Round brass medal

With spacer \varnothing 90 mm, G5/8, chrome



60/1258-CR



Brass holder for fish eye lens

81 mm, chrome

60/1259



Fish eye lens

81 mm, transparent, without logo



60/1450-CR



Round ABS medal

With spacer \varnothing 90 mm, G5/8, chrome



60/1600-CR



ABS spacer

G5/8, chrome

Drip trays



70/200



Stainless steel drip tray

150 x 220 x 30 mm



70/275



Built-in stainless steel drip tray

400 x 220 x 30 mm, with glass rinser and G1/2 drain



70/245



Stainless steel drip tray

400 x 220 x 30 mm, with glass rinser and G1/2 drain



70/305



Built-in stainless steel drip tray

400 x 220 x 30 mm, with G1/2 drain



GENERAL TERMS AND CONDITIONS OF SALE

CONTRACT PARTIES

The Seller is the firm providing the supply materials and issuing the related invoice. The Buyer is the recipient of the invoices related to the supply materials. The provisions of these General Terms and Conditions of Sale are effective for all contracts stipulated between the Parties as of the date of signing up to an unlimited term, save for the expressed right of termination through 30-day notice to the counterpart.

1. ORDERS

These general terms and conditions of sale are intended as fully accepted by the client upon order confirmation.

The Seller reserves itself the right to accept or reject the order received and transmitted in writing and which net amount must be at least **€ 2000.00 = VAT excluded**.

Orders with a net amount lower than **€ 2000,00= VAT excluded** will not be accepted.

2. CATALOGUES

Every specification, drawing or image related to the products included in TOF S.r.l. catalogues or price lists is for sole indication and not binding, and it may be modified without prior notice.

The only specifications with binding value for TOF S.r.l will be those expressly included in the order confirmation.

Any copy, in full or partial, of the catalogues or price lists failing TOF S.r.l's written authorization is forbidden.

3. PRICES

All prices are expressed in Euro.

The price shown in the order confirmation is considered Ex-works - San Maurizio d'Opaglio - net of VAT and any other tax.

According to the fluctuations of raw material prices, the offers will have a validity of **7 days** from their date of issue.

The price in force shall be the one shown in the offer.

Any import and custom duty as well as any other tax related to the country of destination of the goods will be charged in full to the Buyer.

Statements, agreements and warranties by subjects not holding an organic representation by the Firm (including but not limited to, employees, representatives or agents) and not complying with the terms and conditions given herewith, will not be considered binding by TOF.

4. SHIPMENTS

Goods travel at the Buyer's own risk, even if sold free at destination.

The receiver must check the incoming goods and notify any damage directly to the vector, even when the goods are delivered ex-works.

5. DELIVERY TERMS

Delivery terms are merely indicative.

TOF pledges to fulfil the delivery terms agreed and specified in the order confirmation, yet no delay shall legitimate the Buyer to claim order cancellation and indirect, direct or any other type of damage.

Events preventing or delaying the shipment of the goods such as, including but not limited to, delayed supplies of raw materials, prohibition to import, strikes (also corporate) and other events that may prevent or delay the production and/or machining, are conventionally considered causes of force majeure and the Seller may not be held liable for the shipment delay.

Similarly, force-majeure events also include any event preventing the Seller from fulfilling any contractual obligation, providing that the cause of force majeure is out of its control and could be reasonably foreseen or prevented.

In the above-mentioned cases, the Seller may delay the shipment as long as the causes of the delay persist.

Save for provisions otherwise stipulated in writing, the Seller delivers the loaded goods to the Buyer ex-works at the Buyer's premises (CC Incoterms 2020); ownership, risk of deterioration and any possible damage are transferred from the Seller to the Buyer upon delivery, or, should the Buyer refuse to receive it, when delivery is offered.

Acceptance of the shipment by courier will constitute delivery for all legal purposes.

6. PAYMENTS

Only payments in Euro carried out within the due dates and according to the terms and conditions agreed in the invoices will be considered releasing.

Delayed payments for the supplies will lead to automatic charge of moratory interests as set forth by Law Decree 231/2002, without necessity of formal default, and will lead to immediate suspension or termination without notice of pending goods or contracts, even when not related to the payments in question.

In case of deferred payment, failure to comply with even one single due date, will lead to automatic withdrawal of the terms and immediate payment of the entire amount due, in addition to the above-mentioned consequences.

7. INTELLECTUAL PROPERTY

All intellectual property rights (including but not limited to patents for inventions, utility models, copyrights, brands and know-how) on the goods sold herein are owned exclusively by the Seller.

8. RETENTION OF TITLE

The provided goods are owned by the Seller up to their regular and full payment.

Cheques or bills, even when accepted by TOF S.r.l., will be considered as payment only upon their encashment.

9. WARRANTY

TOF S.r.l. guarantees that the product sold has been thoroughly tested in house and it is however covered by a 12-month warranty as of the date shown on the transport bill.

The warranty for defects is limited to those arising during regular and proper use according to the instructions provided by the Seller.

The Buyer undertakes any risk with regard to the suitability of the product provided for the use it intends to make, as well as any risk deriving from product tampering or negligent, unprofessional or imprudent use and however in a way different from its intended use.

The warranty will not cover in any way tampering or modifications of the product.

Article 1495 of the c.c. will apply in any case.

Under no circumstances the Seller will be held liable toward the Buyer for indirect, accidental, consequential or punitive damages, including but not limited to, loss of earnings, loss of contracts, failed production, machine downtimes, payment of penalties to third parties, refunds for machine replacements of any given nature, contractual or extra-contractual, of the claims.

10. CLAIMS

Upon delivery, the Buyer shall inspect the products for conformity and absence of defects.

Under penalty of forfeiture of the warranty, claims related to non-conformities and defects shall be notified through registered letter or certified email within 8 days from delivery in case of manifest defects, or within 8 days from their discovery in case of hidden defects or defects unnoticeable through normal due diligence, and the product/s claimed as defective shall be made available to TOF S.r.l. for inspection.

If, upon such verifications, the reason of the complaint is ascertained, TOF will replace free of charge the defected goods as long as returned ex-works.

The procedure for management of returns under warranty, along with the dedicated guidelines, can be found at tofin.com/en/return-policy.

11. LIABILITY

All TOF products generally include proper datasheets, or user's manuals for their correct use.

Therefore, TOF S.r.l. will not be held liable in case of damage to people, properties or animals due to use of the products not complying with the instructions, the safety provisions or however due to incorrect installation or installation without carrying out use controls.

12. APPLICABLE LAW - EXCLUSIVE JURISDICTION

Any dispute between the Parties will be regulated according to the Italian Law.

The exclusive jurisdiction is represented by the Court of Novara.

TOFS.r.l.

Via dell'Erica, 16/18
28017 S. Maurizio d'Opaglio (NO)
Italy

(+39) 0322 915919
tof@tofin.com

www.tofin.com